

## Be Sure To Ask Your Autosound Specialist About These Other Exciting SoundGate Products...

**Simple-fi™**

- Competition-Grade Interfaces for adding amplifiers
- Remote audio control interfaces that let you control aftermarket receivers and CD players from your factory rear seat, or steering-wheel-mounted audio controls.
- And many others!

### Why SoundGate Dealers have the edge...

The technologies used in today's vehicles are as sophisticated as any laptop computer. At SoundGate we believe these new technologies are full of opportunities for mobile electronic dealers across the nation. We make it a high priority to not only research these new systems, but to understand them and their impact on the aftermarket car audio industry. Armed with this knowledge, we are well equipped to help you integrate new components into these systems with our innovative, high-performance interfaces and unparalleled technical support.

**Liability Disclaimer:** SoundGate®, Stillwater Designs, Inc., its subsidiaries, or Officers of the corporation cannot be held liable for damages or injuries caused by, or resulting from the use of this instruction guide or product.

REPAIR OR REPLACEMENT IS THE EXCLUSIVE REMEDY OF THE PURCHASER. ANY IMPLIED WARRANTY ON THIS PRODUCT INCLUDING MERCHANTABILITY OR FITNESS FOR A PARTICULAR PURPOSE IS LIMITED IN DURATION TO THE DURATION OF THE WARRANTY (please see the enclosed Limited Warranty document for complete Warranty information). SOUNDGATE NEITHER ASSUMES NOR AUTHORIZES ANY OTHER PERSON TO ASSUME FOR IT ANY OTHER LIABILITY IN CONNECTION WITH THE SALE AND USE OF THIS PRODUCT. SOUNDGATE PROHIBITS ANY RETAILER FROM EXTENDING ANY WARRANTY OR WARRANTIES ON BEHALF OF SOUNDGATE TO ANY PERSON. SOUNDGATE IS NOT RESPONSIBLE FOR ANY INDIRECT, INCIDENTAL, OR CONSEQUENTIAL DAMAGES.

Strictly adhere to all car manufacturer warnings that pertain to the disassembly, maintenance, or servicing of the vehicle and any of its associated parts or systems.

SoundGate cannot be held responsible for discrepancies, or inconsistencies that may occur due to vehicle manufacturing changes.

If you feel that you cannot agree with the above limitations, please return this product to the dealer you purchased it from, or call SoundGate Customer service at 800-256-0808 for a Return Authorization number, and return the product to SoundGate for a credit or refund.

**VIDGM2V4**

**SoundGate**



7 13034 03925 9

#### Purpose...

The VIDGM2V4 allows you to add up to 2

video signals (DVD, VCR, rearview camera, game console, etc.) to the factory navigation systems on the touchscreen navigation equipped General Motors vehicles listed below.

**Note:** The VIDGM2V4 provides video input only. To input audio signals, you will need an

additional interface (sold separately - see below).

#### Features...

The VIDGM2V4 utilizes microprocessor control, ultra-reliable surface-mount construction, and advanced firmware design, to flawlessly match the video signal from the new sources to the factory system. The VIDGM2V4 is also equipped with brightness, color, contrast, and tint adjustments to allow you to get the best quality picture possible.

#### The SoundGate VIDGM2V4 works in the following vehicles:

**2003-2006 General Motors Corporation vehicles, with factory touchscreen navigation, excluding Cadillac Sedans, Chevrolet Corvette, and Hummer H3 (for vehicles without touchscreen radio, please see SoundGate VIDGM1).**

#### Note:

Disassembly of factory radio is required. Installation by a Mobile Electronics Specialist is highly recommended.

#### Audio input interfaces (one required if you need to input audio signals also):

**SDSGM2 - Vehicles with Satellite Radio or remote-mounted CD changer**

**AUXGMV3 - Vehicles without Satellite Radio or remote-mounted CD changer**

**Simple-fi™**

Copyright© 2004-2007 SoundGate®. All Rights Reserved. SoundGate® is a registered trademark of Stillwater Designs, Inc. All other trademarks are the property of their respective owners.

[www.soundgate.com](http://www.soundgate.com)

Rev 20070827

If you experience any problems, call SoundGate Technical Support at 800-256-0808 or e-mail us at [sgtech@soundgate.com](mailto:sgtech@soundgate.com).

# VIDGM2V4 INSTALLATION INSTRUCTIONS

## IMPORTANT WARNING!

*It is illegal in all 50 U.S. states, and in most Canadian provinces, to have real time video (TV broadcast, VHS, DVD video, etc.) in view of the driver.*

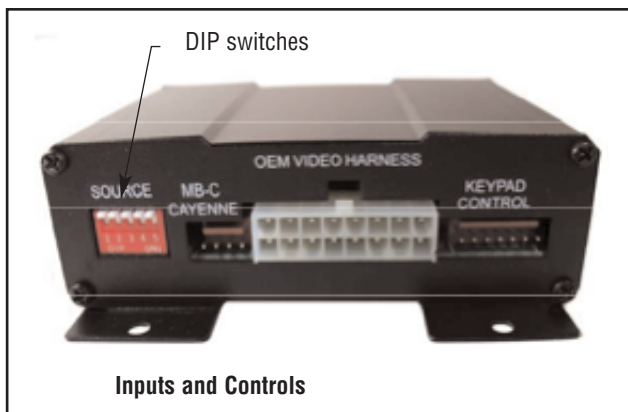
*IF YOU ARE GOING TO USE THE SOUNDGATE VIDEO INTERFACE FOR ANYTHING OTHER THAN INTERFACING A REARVIEW CAMERA SYSTEM, THE BLUE INTERLOCK WIRE ON THE SOUNDGATE VIDEO MODULE MUST BE PROPERLY CONNECTED TO PREVENT THE DRIVER VIEWING REAL TIME VIDEO WHILE THE VEHICLE IS IN MOTION.*

*We do not want to put our dealers in a position of liability, nor our customers in danger in the event of an accident due to driver distraction.*

*If you do not intend to comply with applicable law, please return the SoundGate video module to the dealer it was purchased from, or to SoundGate if it was purchased direct. Call SoundGate Customer Service at 800-256-0808 for a Return Authorization Number.*

### Preliminary:

- Please consult a factory service manual for exact location and disassembly instructions if you are unsure of the procedure. Pay close attention to any warnings or instructions regarding working in or around airbags.
- Turn the ignition key to the "Off" position.
- Make sure the car's factory radio is turned to the "Off" position.
- Be very careful when handling, connecting and disconnecting the VIDGM2V4 and factory ribbon cables to prevent damage.



### Step 1 Verify DIP switch settings on VIDGM2V4 module

1

On the end of the module as shown in the diagram at bottom left, you will see a red 5-position DIP switch. Verify that the switches are set as follows (On = down, Off = up):

2, 3 = on (down)    1, 4 and 5 = off (up)

### Step 2 Install the video source unit(s)

2

Referencing the instructions provided with your video source units, install the components in the desired locations. Route the video cables and any required power, ground, and trigger wires to the factory amplifier location for connection to the VIDGM2V4.

### Step 3 Disconnect and remove factory navigation radio from vehicle

3

- You will be connecting the SoundGate VIDGM2V4 inside the factory navigation radio. Disconnect all connectors at the rear of the factory navigation radio and remove the radio to a stable surface such as a workbench or table.
- Turn radio upside down and remove the bottom cover by gently loosening the rear edge and lay it aside.

### Step 4 Remove the factory ribbon cable

4

- Inside the radio, you will find a small ribbon cable about 1" wide that connects the radio face assembly to the main circuit board. Gently lift up the locking arm on the main circuit board connector to release the ribbon cable.
- The other end of the ribbon cable is held in place by tape. Carefully separate the ribbon cable from the double stick tape, and remove cable by pulling straight out. Take note of which way the contacts on the ribbon cable face. Be careful not to damage the cable or the tape, which will be reused to hold the new cable in place.
- Place the factory ribbon cable in small envelope and tape to the inside of the bottom cover for possible future use.

### Step 5 Connect ribbon cable to radio face circuit board

5

- Gently insert the longer tail of the ribbon cable on the VIDGM! into the connector on the radio face circuit board with the contacts facing away from the board. Gently press the ribbon cable onto the double stick tape to hold the cable in place.

### Step 6 Connect ribbon cable to main circuit board

6

- Gently insert the short tail of the ribbon cable into the connector on the main board and lock the cable in place by lowering the locking arm back into place.

### Step 7 Secure cabling inside radio

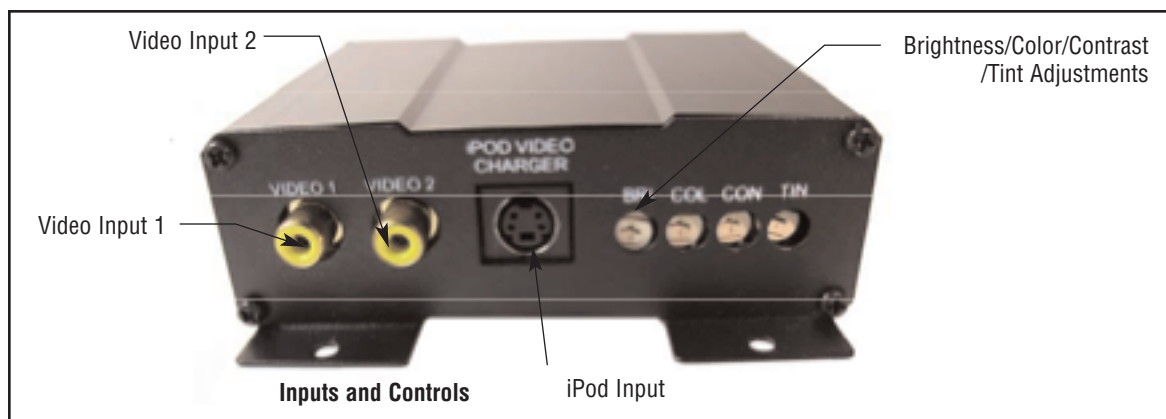
7

- Remove backing from both sections of double stick tape.
- Gently affix double stick tape on back of ribbon cable to main circuit board.
- Route black-jacketed cable out through opening at lower edge of radio.

### Step 8 Reinstall bottom cover

8

- Making certain not to catch or pinch the VIDGM2V4 ribbon cable, insert front edge of bottom cover into slots at front of radio and gently rotate rear edge of cover down. Do not fold or crease the ribbon cable. Allow it to rest against the bottom of the cover and fold over as you install the cover.
- Make sure the black-jacketed cable is aligned in the slot, and press the cover down until it snaps in place.



# VIDGM2V4 INSTALLATION INSTRUCTIONS

## Step 9 Connect remaining wires

Referencing Figure 1 and 2 at right, connect the remaining wires on the VIDGM2V4 harness. One of the options shown will cover most installations.

Consult the documentation that came with your video component to determine which of these is appropriate for your installation.

## Step 10 Reinstall radio and test operation

### 10

- Reconnect factory radio connectors and reinstall radio.
- If you have installed a rearview camera, start the vehicle, turn on the radio and navigation system and put the vehicle in reverse. The navigation display should change to show the view from the camera. Shifting the vehicle out of park should return you to the navigation display. If necessary, adjust the brightness, color and contrast with the controls on the VIDGM2V4.
- If you have installed a video system, with the vehicle in park gear, and the parking brake on, activate the video source. The navigation display will change to show the video source.
- With the video source active and playing, test the video interlock by taking off the parking brake. The navigation display should return.

## Step 11 Finish installation

Once testing is done and the system is functioning properly, reinstall the all trim panels removed during installation. Installation is complete!

## VIDGM2V4 OPERATION

**Rearview camera:** If you have installed a rearview camera system, and have the camera video signal connected to Video 1, with the grey Source 1 trigger wire fed from the back up light circuit, when you put the vehicle in reverse, the VIDGM2V4 will automatically switch the screen display to the rearview camera.

**Adjusting picture quality:** VIDGM2V4 module is equipped with brightness, color and contrast adjustments. **Note:** Adjustments affect both Video 1 and 2 equally (cannot be set individually).

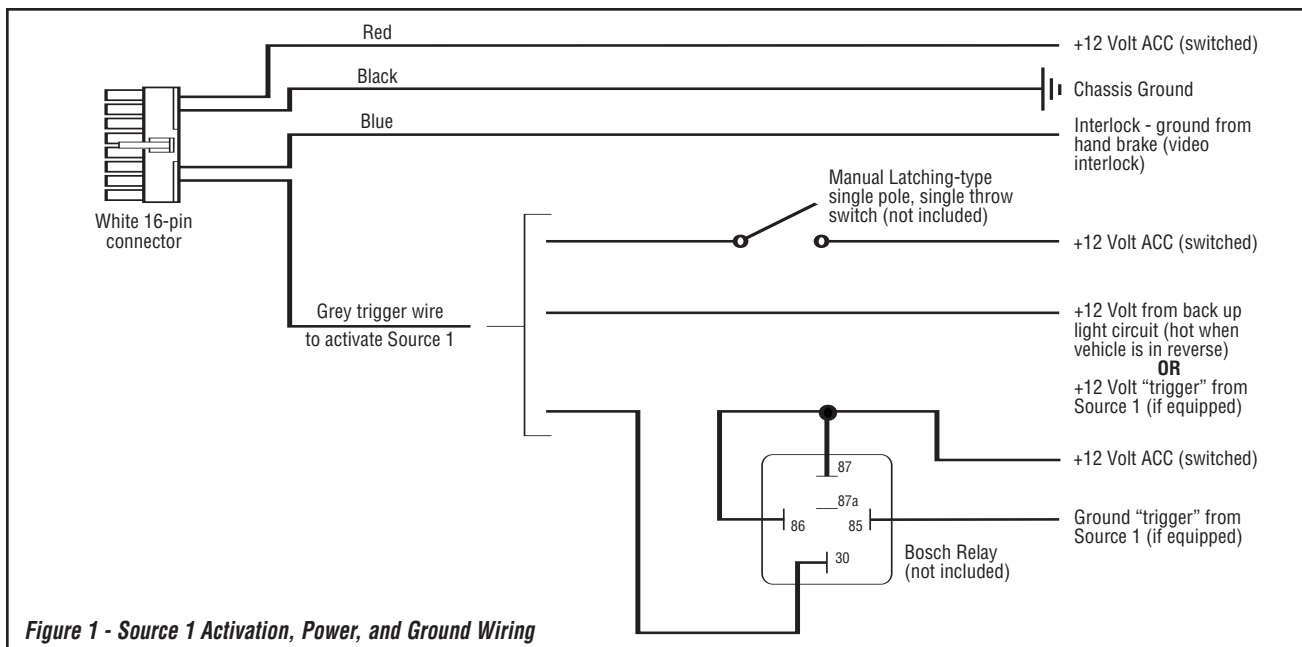


Figure 1 - Source 1 Activation, Power, and Ground Wiring

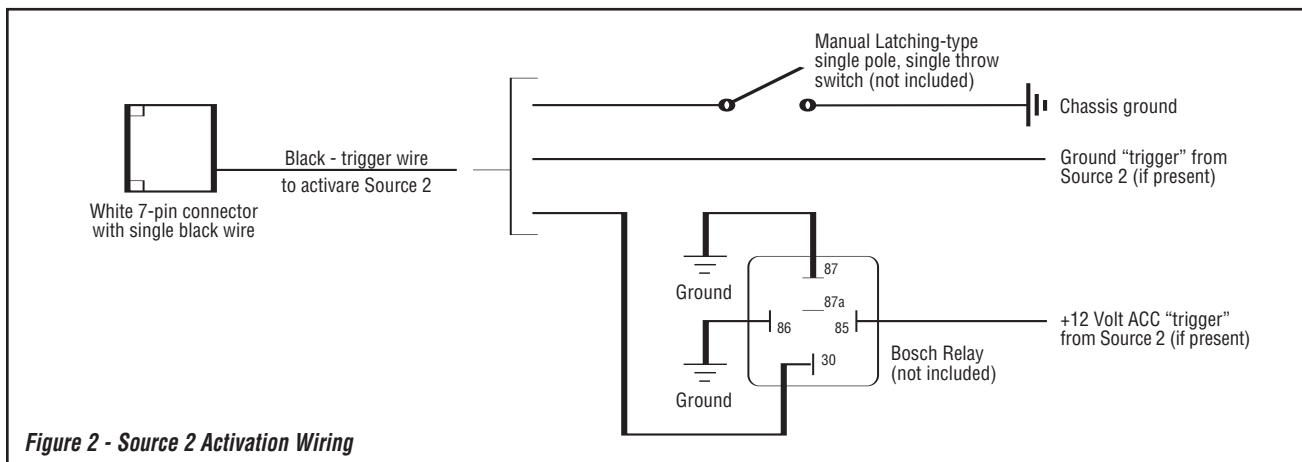


Figure 2 - Source 2 Activation Wiring